

MYERS® CMV5

The Myers CMV5 sewage pump provides powerful lift in demanding residential installations. This economical pump features a combination of cast iron and thermoplastic construction for outstanding corrosion resistance. Solids up to 2" in diameter easily pass through the specially designed recessed vortex impeller.

APPLICATIONS

Sewage, high-capacity sump, effluent

SPECIFICATIONS

Capacities – 95 GPM (360 LPM)
Shut-off Head – 19' shut-off (5.8 m)
Solids Handling – 2" (50.8 mm)
Liquids Handling – Raw sewage, effluent and drain water
Intermittent Liquid Temperature – Up to 140°F (60°C)
Motor/Electrical Data – 1/2 HP, permanent split capacitor type, 1625 RPM, 115V, 12A, 1Ø, 60Hz
Acceptable pH Range – 6-9
Discharge, NPT – 2" (50.8 mm)
Housing – Cast iron
Power Cord – 20', 16/3, SJTW
Impeller – Recessed, thermoplastic
Volute Case – Thermoplastic
Shaft Seal – Type 11A, carbon and ceramic
Minimum Sump Diameter – Simplex: 18" (457 mm)
 Duplex: 30" (762 mm)



FEATURES

Stronger Starts

High-torque, permanent split capacitor (PSC) motor; no relays or starting switches to wear out

Handles the Heat

High-endurance, oil-cooled motor for continuous bearing lubrication and critical heat dissipation

Thermal Overload

Heat sensor overload protection with automatic reset when motor cools to a safe operating temperature

Versatile Applications

Effective and efficient performance in septic tank sewage, effluent and high-capacity sump applications

Longer Bearing Life

Recessed impeller reduces radial bearing loads, increasing bearing life

Free-flow Design

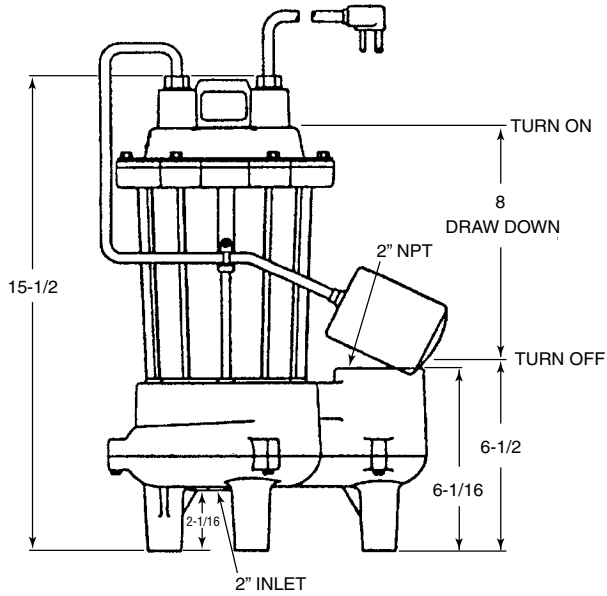
Recessed impeller design also improves the free flow of solids up to 2"

ORDERING INFORMATION

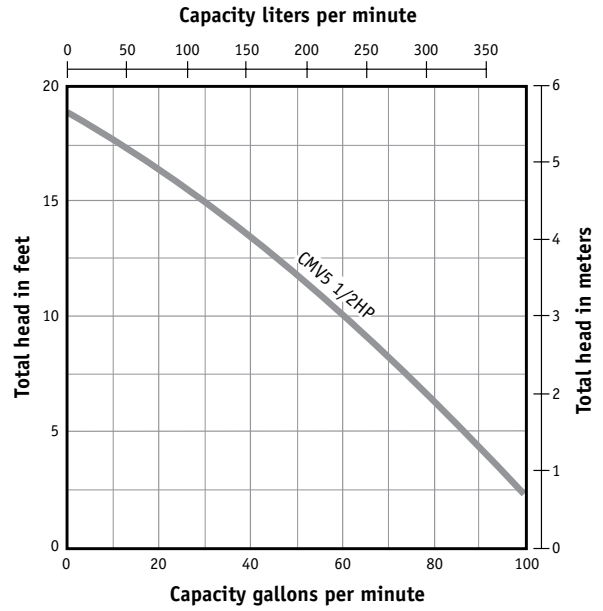
Catalog Number	HP	Volts	Phase/Cycles	Amps	Discharge Size	Switch Type	Cord Length	Approx. Wt. Lbs.
CMV5A-11	1/2	115	1/60	12	2"	Automatic	20'	32

MYERS® CMV5

DIMENSIONS



PUMP PERFORMANCE



USA
 293 WRIGHT STREET, DELAVAN, WI 53115 WWW.FEMYERS.COM
 PH: 888-987-8677 ORDERS FAX: 800-426-9446

CANADA
 490 PINEBUSH ROAD, UNIT 4, CAMBRIDGE, ONTARIO N1T 0A5
 PH: 800-363-7867 ORDERS FAX: 888-606-5484

Because we are continuously improving our products and services, Pentair reserves the right to change specifications without prior notice.