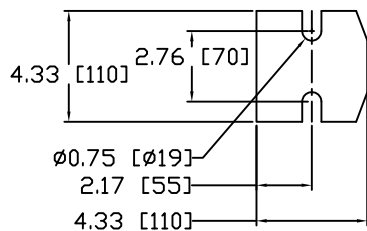




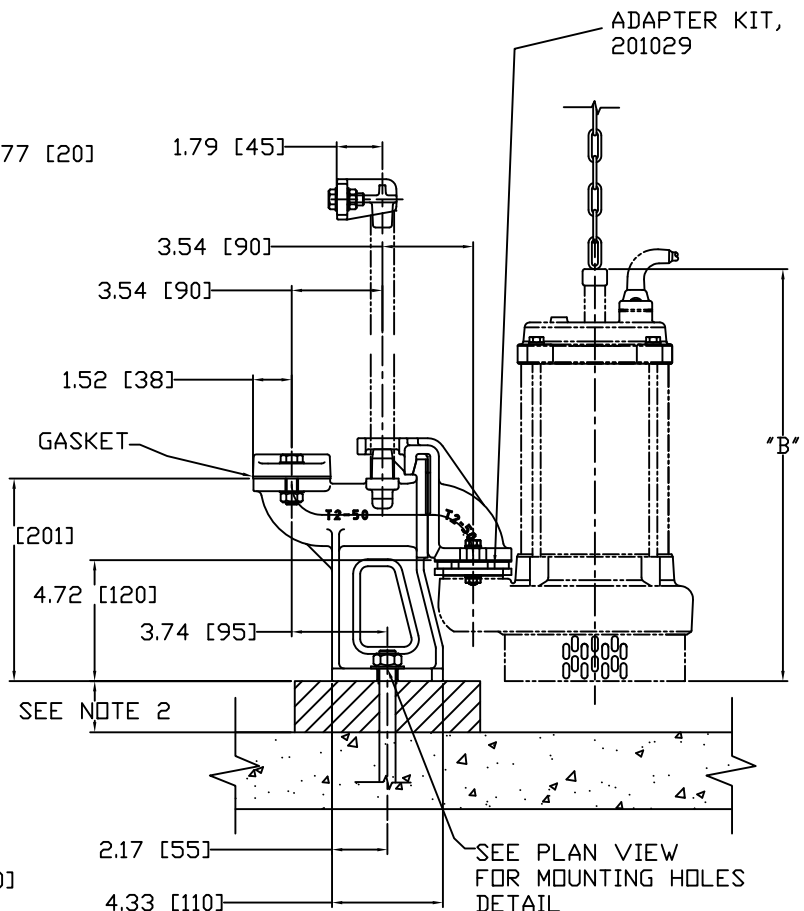
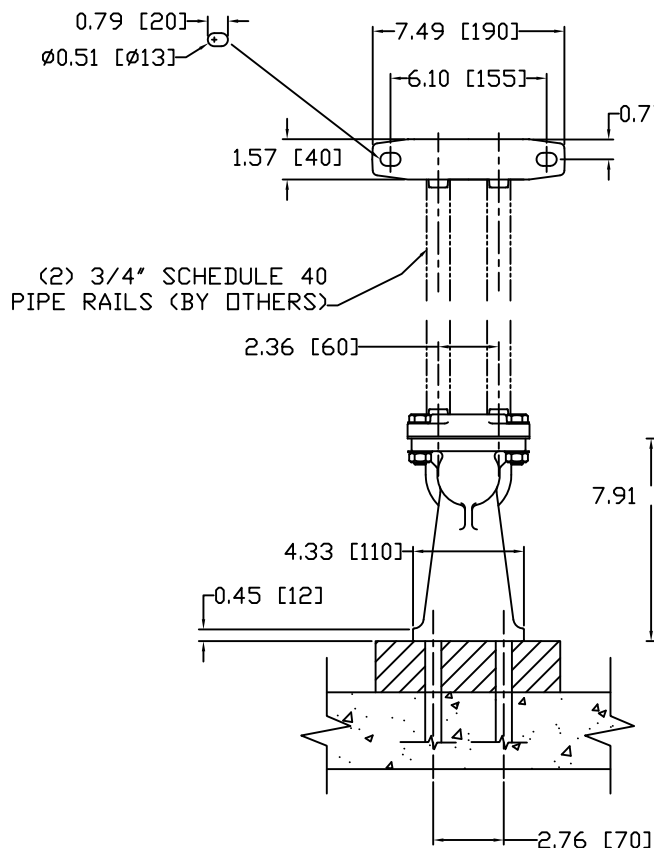
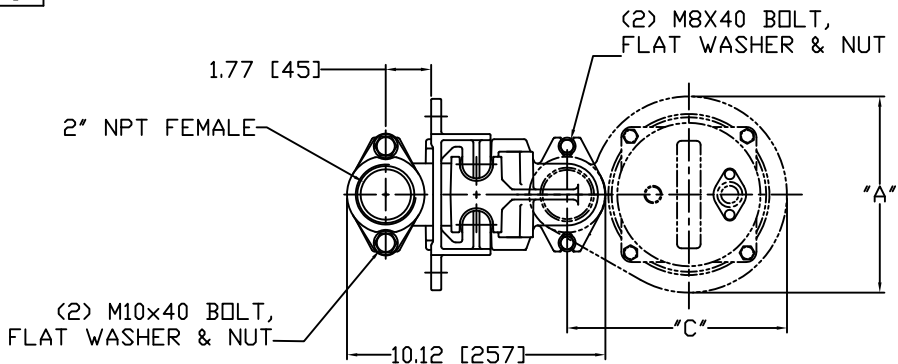
# 2" SLIDE RAIL SYSTEM, VERTICAL DISCHARGE, DIMENSIONAL DRAWING

P/N 201031, 2" VERTICAL DISCHARGE, CAST IRON

PUMP MODEL	A	B	C
J750	7.6 [193]	17.3 [439]	8.8 [224]
J1500H	7.6 [193]	18.7 [475]	8.8 [224]
J08	7.6 [193]	15.2 [386]	8.8 [224]
J15H	7.6 [193]	16.4 [417]	8.8 [224]



PLAN VIEW FOR MOUNTING HOLES



**NOTES:**

- 1) DIMENSIONS ARE IN INCH [MM].
- 2) RECOMMENDED TO RAISE RAIL SYSTEM W/ 2" BLOCK.
- 3) FITS J750, J1500H, J08, J15H.

SEE PLAN VIEW FOR MOUNTING HOLES DETAIL  
 2- ANCHOR BOLTS, 5/8"-11, PROJ 1.5" ; INSTALL IN A SECURE MANNER TO HANDLE PUMP LOAD. (BY OTHERS)

(DRAWING NOT TO SCALE)

BJM PUMPS - 123 SPENCER PLAIN ROAD, OLD SAYBROOK, CT 06475 - PHONE: 860-399-5937 - FAX: 860-399-7784